

Mark	Nozzle	Size	Rating	Type/Facing	Norm
N1-3	In/Outlet	1/4"	-	BSP (f)	ISO228-1G
N4-6	Spare	1/4"	-	BSP (f)	ISO228-1G

ATNL0003-SS

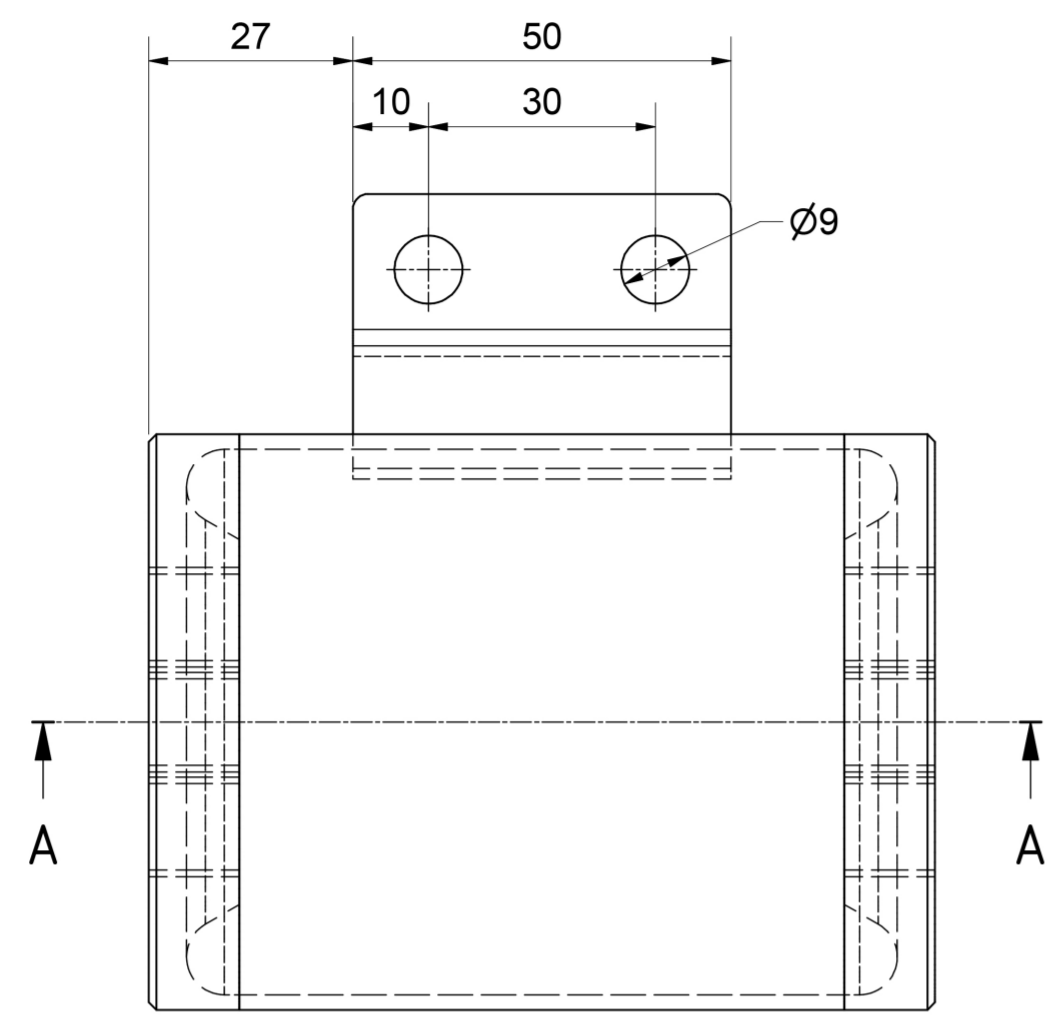
Tank number **220XXX-000** Volume **0.33 L**

Manuf. year **2022** PED cat. **SEP (art.4,par.3)**

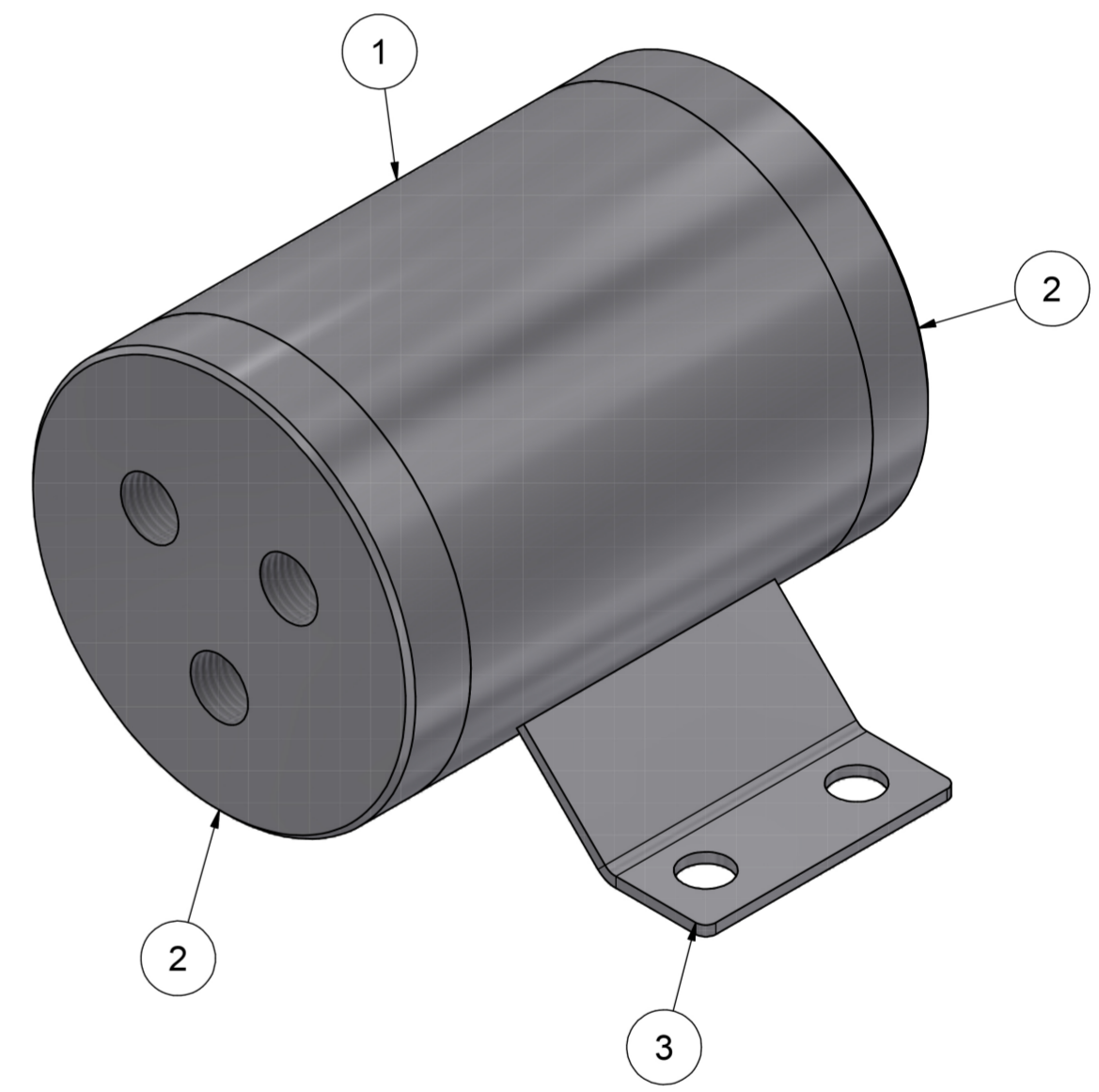
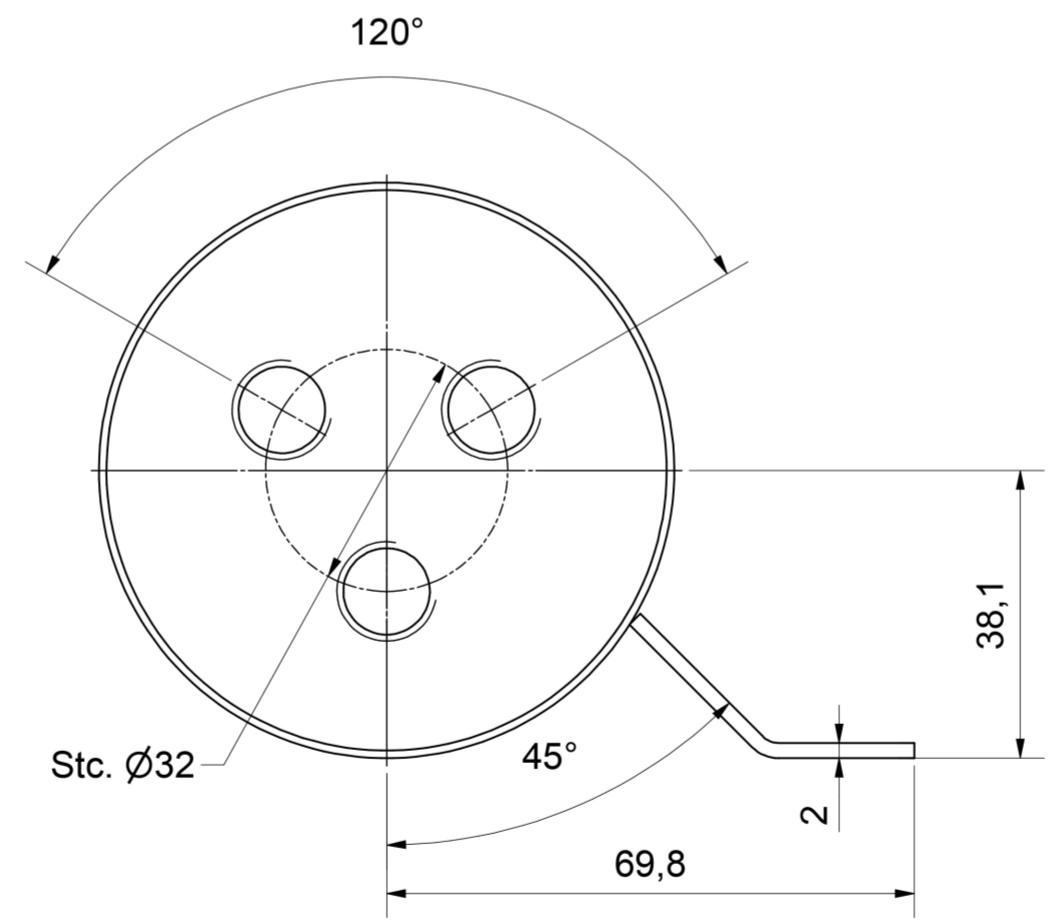
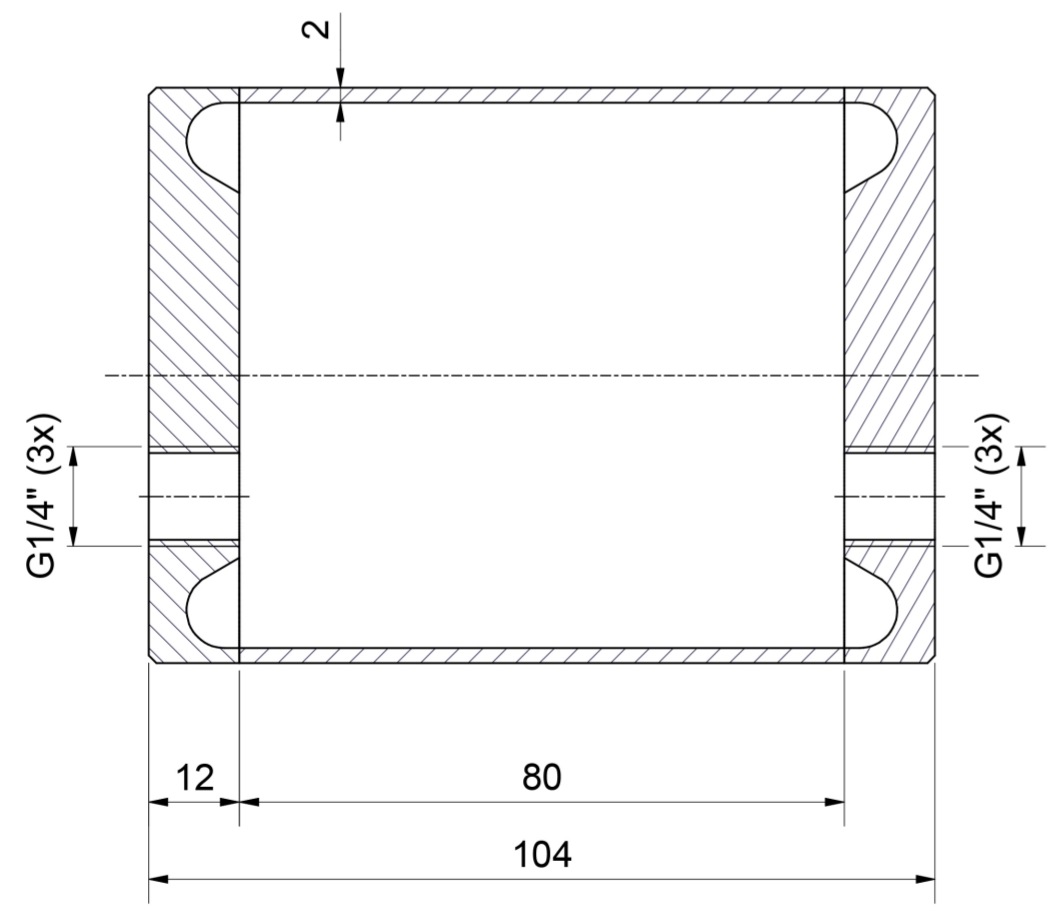
Design press. **16 Bar(g)** Design temp. **-10 + 100°C**

Test press. **23 Bar(g)** Medium **Air / Oxygen**

DESIGN DATA	
Description	unit - Values
Design code	EN13445:2014 (E) Issue 5+A8:2019
PED 2014/68/EU	SEP (art. 4, par. 3)
Medium	Air / Oxygen
Capacity	Ltr. 0.33
Design pressure	Bar(g) 0 + 16
Operating pressure	Bar(g) 0-16
Hydrostatic test	Bar(g) 23
Design temperature	°C -10 + 100
Corrosion allowance	0
Testing group	3b
Joint efficiency	0.85
Radiographic / other N.D.T.	RT=TBD PT=TBD
Heat treatment	N.A.
Insulation	N.A.
Weight empty	kg ±1



A-A (1:1)



Finish: Pickling and Passivated
All materials including 3.1 certificate

ITEM	QTY	TITLE	SIZE	NORM	MATERIAL	PART NUMBER
3	1	Steun s=2	50 s=2	EN10028-7	1.4301 RVS304	-
2	2	Headplate	ø76.1x12	EN10028-7	1.4301 RVS304	-
1	1	Tube	ø76.1x2 L=65	EN10217-7	1.4301 RVS304	-

Scale: 1:5	Comments	Art.nr.:
Designer:		Weight: 0,938 kg
Date: 27-06-2022		

ATNL0003-SS-025

Roughness according to NEN 3634
Tolerance according to NEN-ISO 406
Form and Placement tolerance according to NEN-ISO 1101

<p>INTER-TECHNICS B.V. De Sleutel 11 5652 AS Eindhoven +31 (0)88 110 9000 info@intertech.nl www.intertech.nl</p>	<p>Size A2</p>	Partnumber