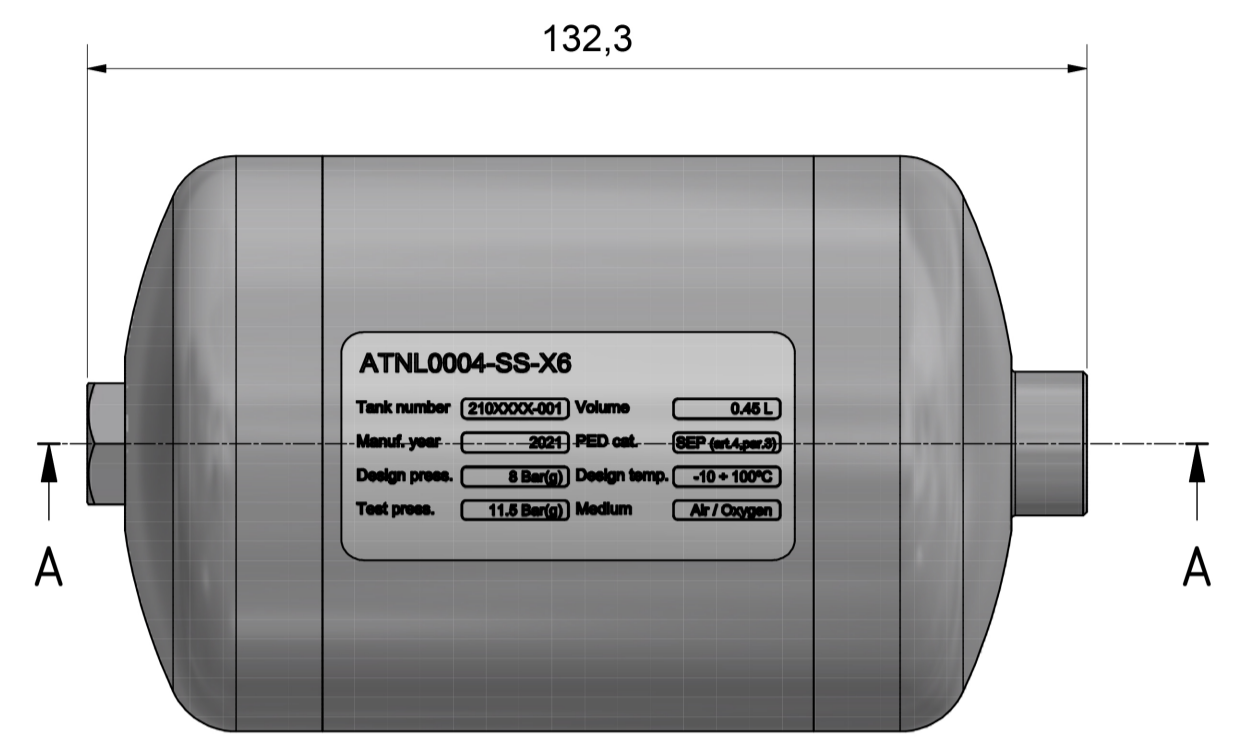
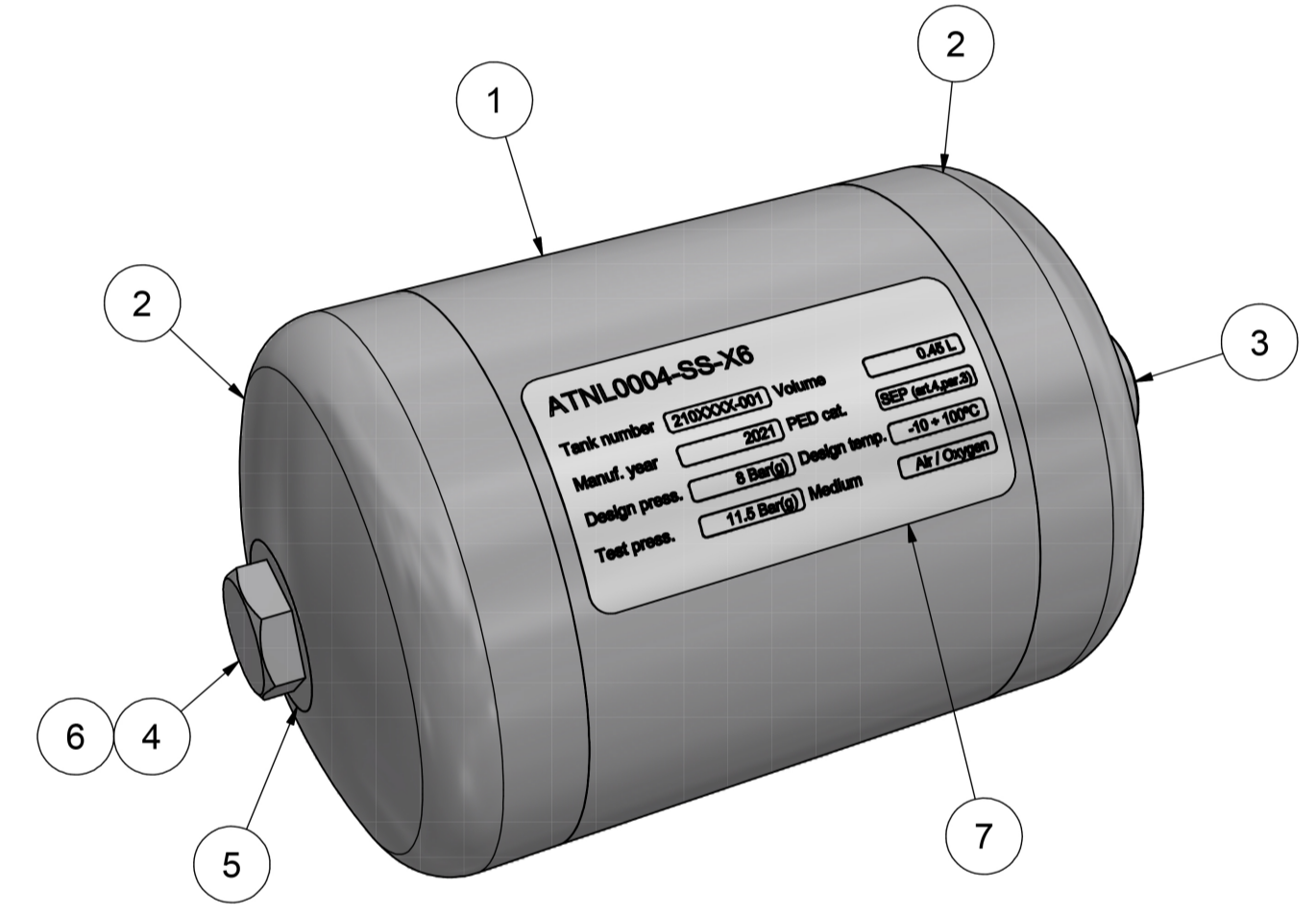
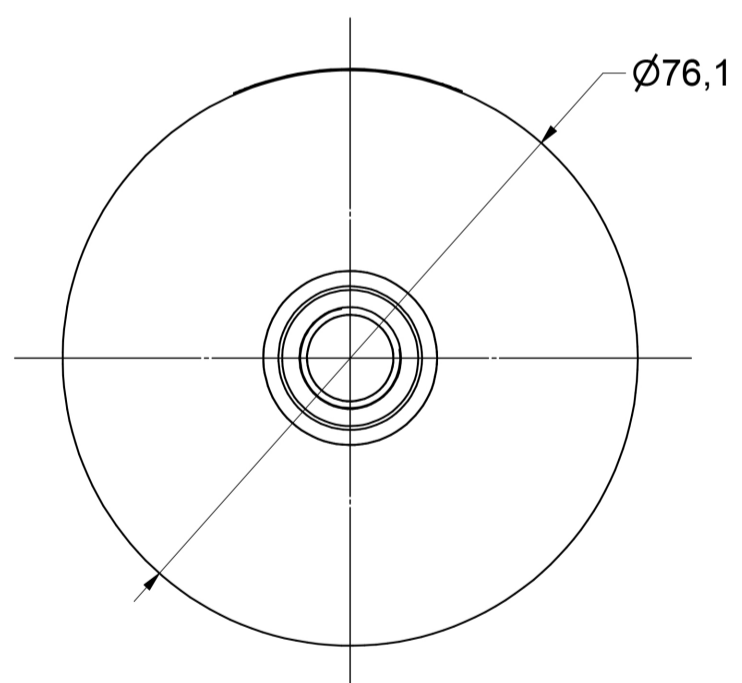
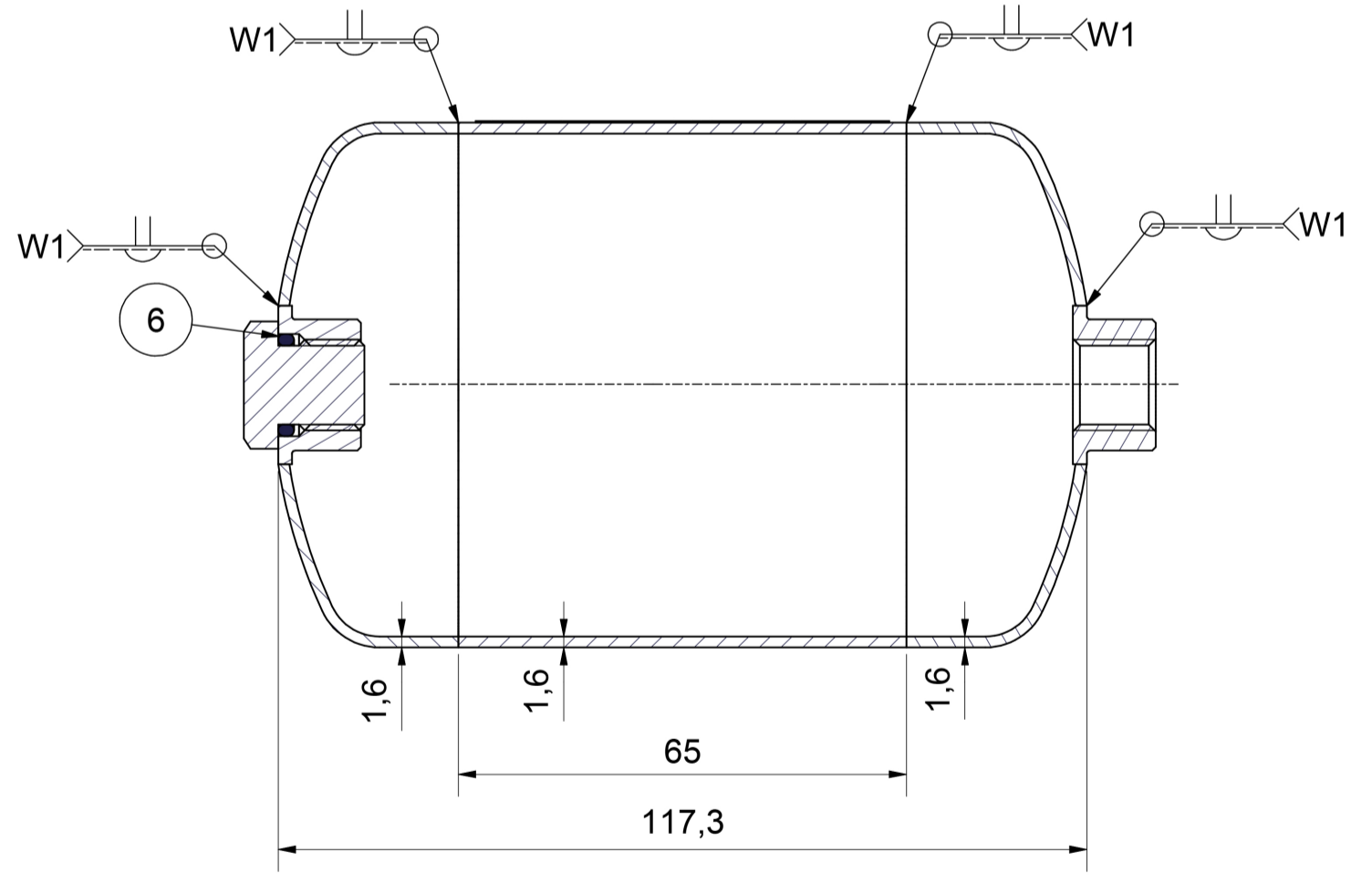


Mark	Nozzle	Size	Rating	Type/Facing	Norm
N1	In/Outlet	1/4"	PN16	BSP (f)	ISO228-1G
N2	Spare	1/4"	PN16	BSP (f)	ISO228-1G

DESIGN DATA	
Description	unit - Values
Design code	EN13445:2014 (E) Issue 5+A8:2019
PED 2014/68/EU	SEP (art. 4, par. 3)
Medium	Air / Oxygen
Capacity	Ltr. 0.45
Design pressure	Bar(g) 0 + 8
Operating pressure	Bar(g) 7
Hydrostatic test	Bar(g) 11.5
Design temperature	°C -10 + 100
Corrosion allowance	0
Testing group	3b
Joint efficiency	0.85
Radiographic / other N.D.T.	RT=TBD PT=TBD
Heat treatment	N.A.
Insulation	N.A.
Weight empty	kg ±0.5



A-A (1:1)



Finish: Pickling and Passivated
All materials including 3.1 certificate

ITEM	QTY	TITLE	SIZE	NORM	MATERIAL	PART NUMBER
7	1	Typeplate sticker				-
6	1	O-ring	ø11x2		NBR 70	-
5	1	Half coupling	1/4" BSP (ISO228)	EN10272	1.4307 RVS304L	-
4	1	Plug	1/4" BSP (ISO228)		1.4307 RVS304L	-
3	1	Half coupling	1/4" BSP (ISO228)	EN10272	1.4307 RVS304L	24866
2	2	Cap	ø76,1x1,6 H=27	EN10253-4	1.4404 RVS316L	-
1	1	Tube	ø76,1x1,6 L=65	EN10357 BD	1.4307 RVS304L	-

Scale: 1:5

Designer:

Date:

Comments: Art.nr.:
Weight: N/A

ATNL0004-SS-X6

Roughness according to NEN 3634
Tolerance according to NEN-ISO 406
Form and Placement tolerance according to NEN-ISO 1101

<p>INTER-TECHNICS B.V. De Sleutel 11 5652 AS Eindhoven +31 (0)88 110 9000 info@intertechnics.nl www.intertechnics.nl</p>		Size	A2	Partnumber	-