

Mark	Nozzle	Size	Rating	Type/Facing	Norm
N1	In/Outlet	1/2"	PN16	BSP (f)	ISO228-1G
N2	Spare	1/2"	PN16	BSP (f)	ISO228-1G

ATNL0004-SS

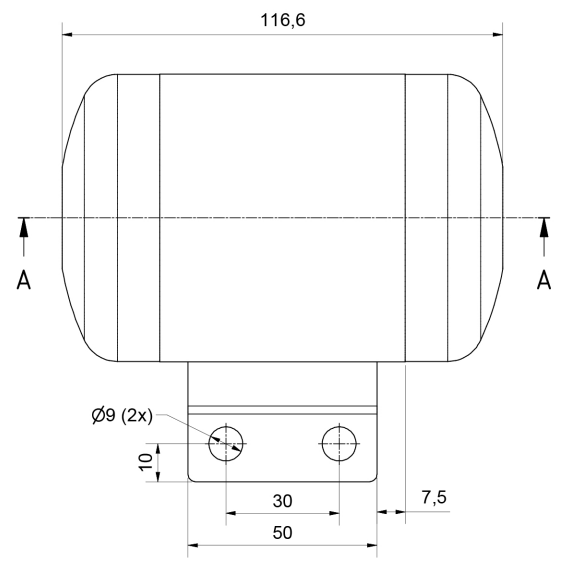
Tank number: **220XXX-000** Volume: **0.43 L**

Manuf. year: **2022** PED cat.: **SEP (art.4,par.3)**

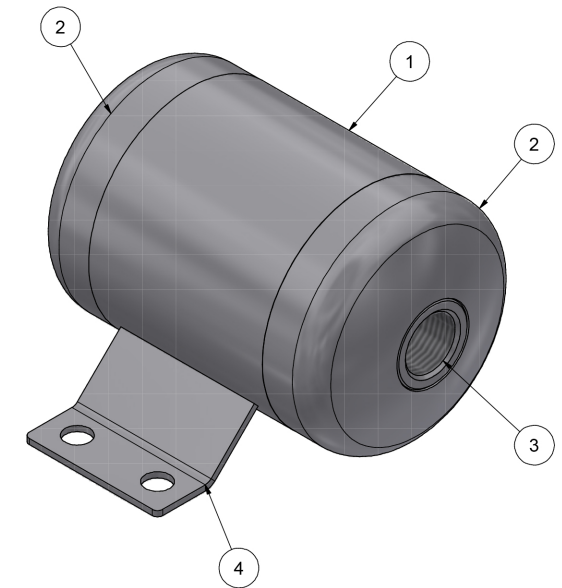
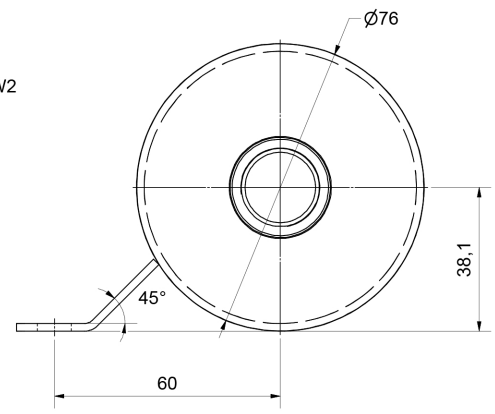
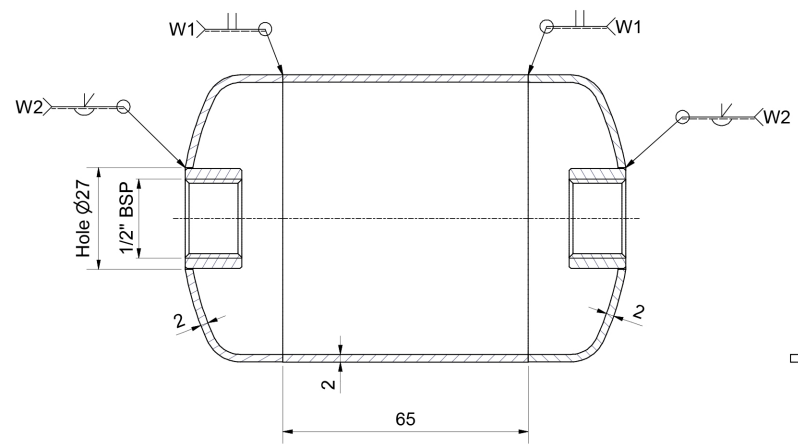
Design press.: **16 Bar(g)** Design temp.: **-10 + 100°C**

Test press.: **23 Bar(g)** Medium: **Air / Oxygen**

DESIGN DATA		
Description	unit	Values
Design code		EN13445:2014 (E) Issue 5+A8:2019
PED 2014/68/EU		SEP (art. 4, par. 3)
Medium		Air / Oxygen
Capacity	Ltr.	0.43
Design pressure	Bar(g)	0 + 16
Operating pressure	Bar(g)	0-16
Hydrostatic test	Bar(g)	23
Design temperature	°C	-10 + 100
Corrosion allowance		0
Testing group		3b
Joint efficiency		0.85
Radiographic / other N.D.T.		RT=TBD PT=TBD
Heat treatment		N.A.
Insulation		N.A.
Weight empty	kg	±0.6



A-A (1 : 1)



Finish: Pickling and Passivated
All materials including 3.1 certificate

ITEM	QTY	TITLE	SIZE	NORM	MATERIAL	PART NUMBER
4	1	Bracket	50x2	EN10028-7	1.4307 RVS304L	-
3	2	Socket	1/2" BSP H=15	ASME SA-312	304L	RVS.319.014
2	2	Cap	ø76,1x2 L=65	EN10253-4	1.4301 RVS304	-
1	1	Tube	ø76,1x2 L=65	EN10217-7	1.4301 RVS304	-

Scale:	1:5	Comments	ATNL0004-SS
Designer:			Art.nr.:
Date:	27-06-2022		Weight:

ATNL0004-SS		Roughness according to NEN 3634
		Tolerance according to NEN-ISO 406
		Form and Placement tolerance according to NEN-ISO 1101
	Size	Partnumber
	A2	-

INTER-TECHNICS B.V.
De Sleutel 11
5652 AS Eindhoven
+31 (0)88 110 9000
info@intertechnics.nl
www.intertechnics.nl