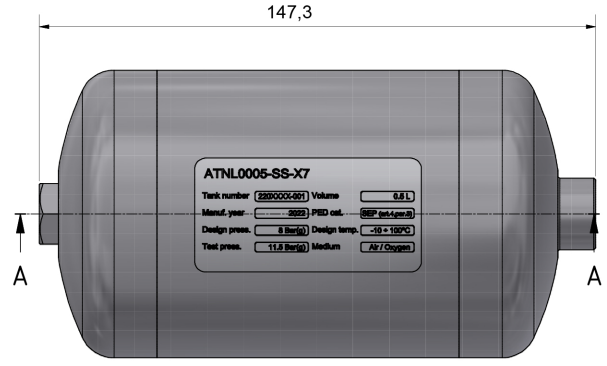
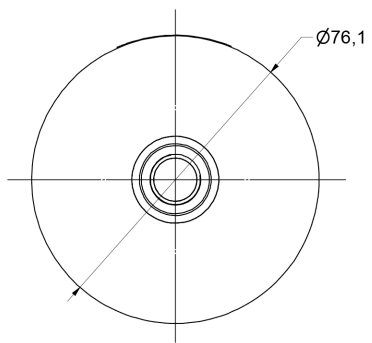
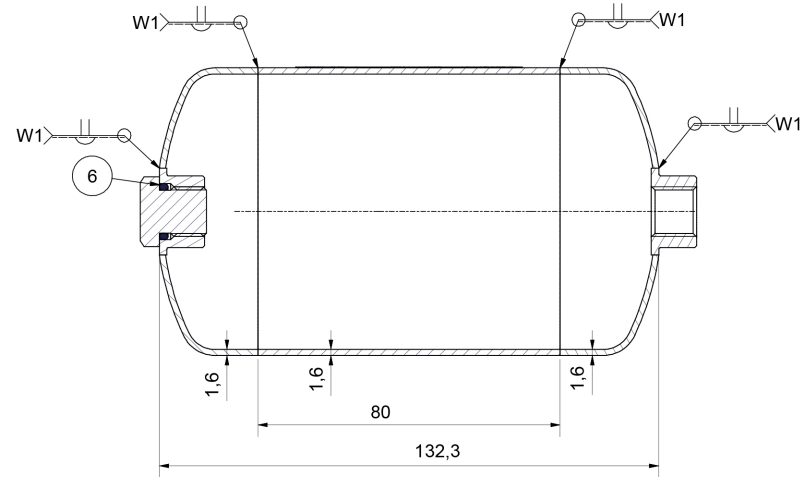


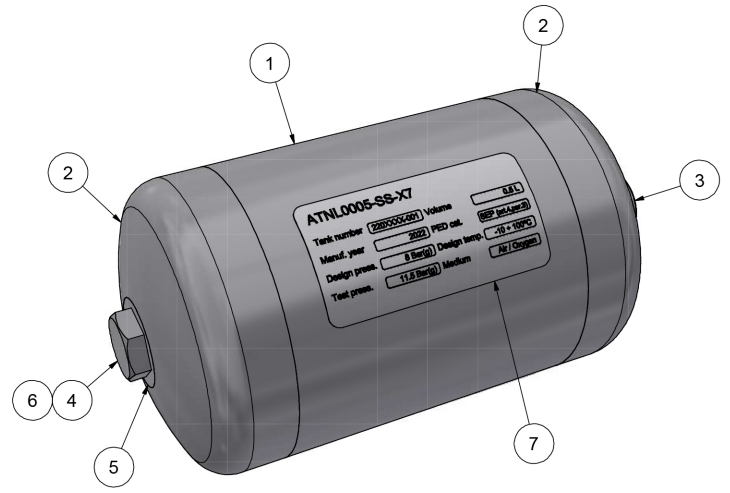
Mark	Nozzle	Size	Rating	Type/Facing	Norm
N1	In/Outlet	1/4"	PN16	BSP (f)	ISO228-1G
N2	Spare	1/4"	PN16	BSP (f)	ISO228-1G



A-A (1:1)



DESIGN DATA		
Description	unit	Values
Design code		EN13445:2014 (E) Issue 5+A8:2019
PED 2014/68/EU		SEP (art. 4, par. 3)
Medium		Air / Oxygen
Capacity	Ltr.	0,5
Design pressure	Bar(g)	0 + 8
Operating pressure	Bar(g)	7
Hydrostatic test	Bar(g)	11,5
Design temperature	°C	-10 + 100
Corrosion allowance		0
Testing group		3b
Joint efficiency		0,85
Radiographic / other N.D.T.		RT=TBD PT=TBD
Heat treatment		N.A.
Insulation		N.A.
Weight empty	kg	±0,5



Finish: Pickling and Passivated  
All materials including 3.1 certificate

ITEM	QTY	TITLE	SIZE	NORM	MATERIAL	PART NUMBER
7	1	Typeplate sticker				
6	1	O-ring	ø11x2		NBR 70	
5	1	Half coupling	1/4" BSP (ISO228)	EN10272	1.4307 RVS304L	
4	1	Plug	1/4" BSP (ISO228)		1.4307 RVS304L	
3	1	Half coupling	1/4" BSP (ISO228)	EN10272	1.4307 RVS304L	24866
2	2	Cap	ø76,1x1,6 H=27	EN10253-4	1.4404 RVS316L	
1	1	Tube	ø76,1x1,6 L=65	EN10357 BD	1.4307 RVS304L	Buis 76,1x1,6 L=70

Scale: 1:5  
Designer:  
Date: 27-06-2022

Comments: Art.nr.:  
Weight: 0,497 kg

**ATNL0005-SS-X7**

Roughness according to NEN 3634  
Tolerance according to NEN-ISO 406  
Form and Placement tolerance according to NEN-ISO 1101

Partnumber	-
------------	---

Size: A2

INTER-TECHNICS B.V.  
De Sleutel 11  
5652 AS Eindhoven  
+31 (0)485 110 9000  
info@intertechnics.nl  
www.intertechnics.nl