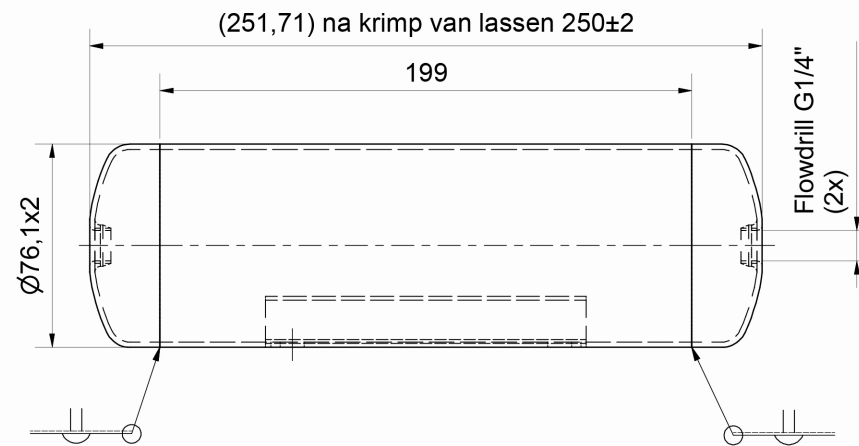
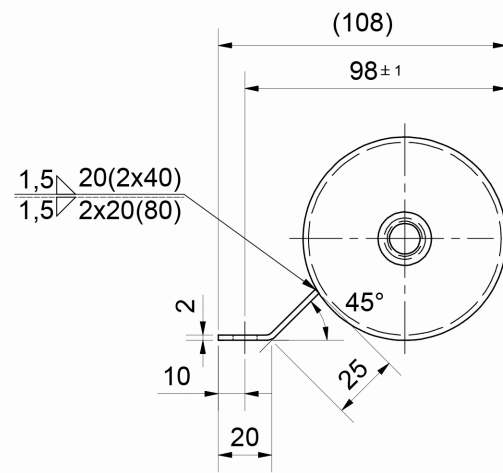
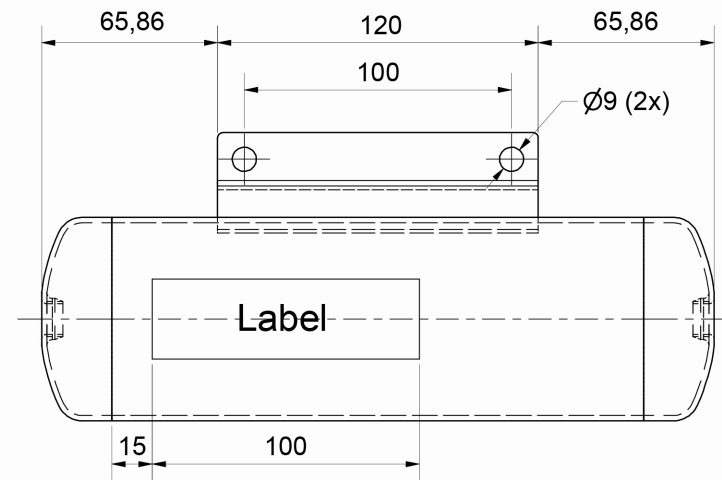
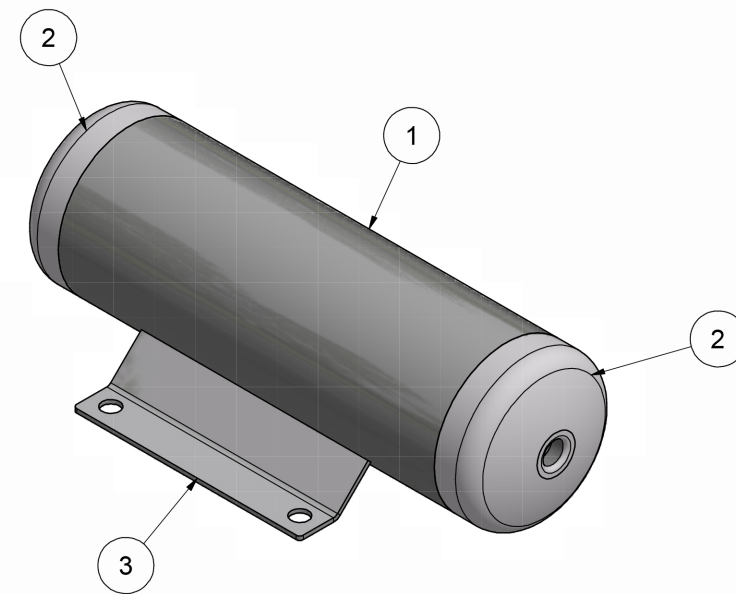


| DESIGN DATA                 |        |                                  |
|-----------------------------|--------|----------------------------------|
| Description                 | unit   | Values                           |
| Design code                 |        | AD 2000 Merkblatter              |
| PED 2014/68/EU              |        | Sound practice engineering (SEP) |
| Medium                      |        | Air/N2                           |
| Capacity                    | Ltr.   | 1                                |
| Design pressure             | Bar(g) | 16,0                             |
| Operating pressure          | Bar(g) | 0-16                             |
| Hydrostatic test            | Bar(g) | 23 (15 minutes)                  |
| Design temperature          | °C     | -10°C - 100°C                    |
| Corrosion allowance         |        | 0                                |
| Joint efficiency            |        | 0,85                             |
| Radiographic / other N.D.T. |        | N.A.                             |
| Heat treatment              |        | N.A.                             |
| Insulation                  |        | N.A.                             |
| Weight empty                | kg     | 1,2                              |
| Weight full                 | kg     | 1,2                              |



|     |   |
|-----|---|
| 100 |   |
| 30  | <b>ATNL0010-SS-X1</b><br>Tank number: 2000382    Volume: 1 ltr.<br>Year of construction: 2020    Category: N.A. (SEP)<br>Design pressure: 16 Bar (g)    Design temp.: -10°C / 100°C<br>Test pressure: 23 Bar (g)    Medium: Air/N2<br><small>Manufactured by supplier: 760022</small> |



Materiaal: 1.4301 / 1.4307  
 Finish: Glasparel stralen

|   |   |                     |             |
|---|---|---------------------|-------------|
| 3 | 1 | Steun s=2           | 24331       |
| 2 | 2 | Laskap ø76,1x2 H=27 | RVS.309.004 |
| 1 | 1 | Buis 76,1x2 L=199   | 24332       |

|   |          |                             |   |
|---|----------|-----------------------------|---|
| Scale: 1:4  | Comments | ATNL0010-SS-X1              |   |
| Designer:   |          | Art.nr.: <b>ITS.114.620</b> |   |
| Date:   |          | Weight: N/A                 |   |
| <b>ATNL0010-SS-X1</b>   |          |                             | Ruwheid volgens NEN 3634<br>Maattoleranties volgens NEN-ISO 406<br>Vorm en plaatstoleranties volgens NEN-ISO 1101 |
| <b>INTER-TECHNICS B.V.</b><br>De Sleutel 11<br>5652 AS Eindhoven<br>+31 (0)88 110 9000<br>info@intertechnics.nl<br>www.intertechnics.nl |          | Size<br><b>A2</b>           | Partnumber<br>-   |