

Mark	Nozzle	Size	Rating	Type/Facing	Norm
N1	In/Outlet	1/4"	PN16	BSP (f)	ISO228-1G
N2	Spare	1/4"	PN16	BSP (f)	ISO228-1G

DESIGN DATA		
Design code		EN13445:2021 (Issue 1:2021)
PED 2014/68/EU		Art. 4, par. 3 (SEP)
PED phase / group		Gas / group II
Testing group		3b
Medium		Air / inert gasses
Density	kg/m3	1.33
Joint efficiency		0.85
Joint examination		RT=5% on circumferential PT=10% on nozzles (first 2 pcs. of every badge)
Cyclic loads		N.A.
Insulation		N.A.
Design pressure	Bar(g)	-1 ÷ 16
Operating pressure	Bar(g)	0 ÷ 15
Hydrostatic test	Bar(g)	25.5
Design temperature	°C	-10 ÷ 100
Operating temperature	°C	0 ÷ 90
Corrosion allowance		0
Capacity	Ltr.	0.25
Weight empty	kg	± 0.45
Weight test full	kg	± 0.7

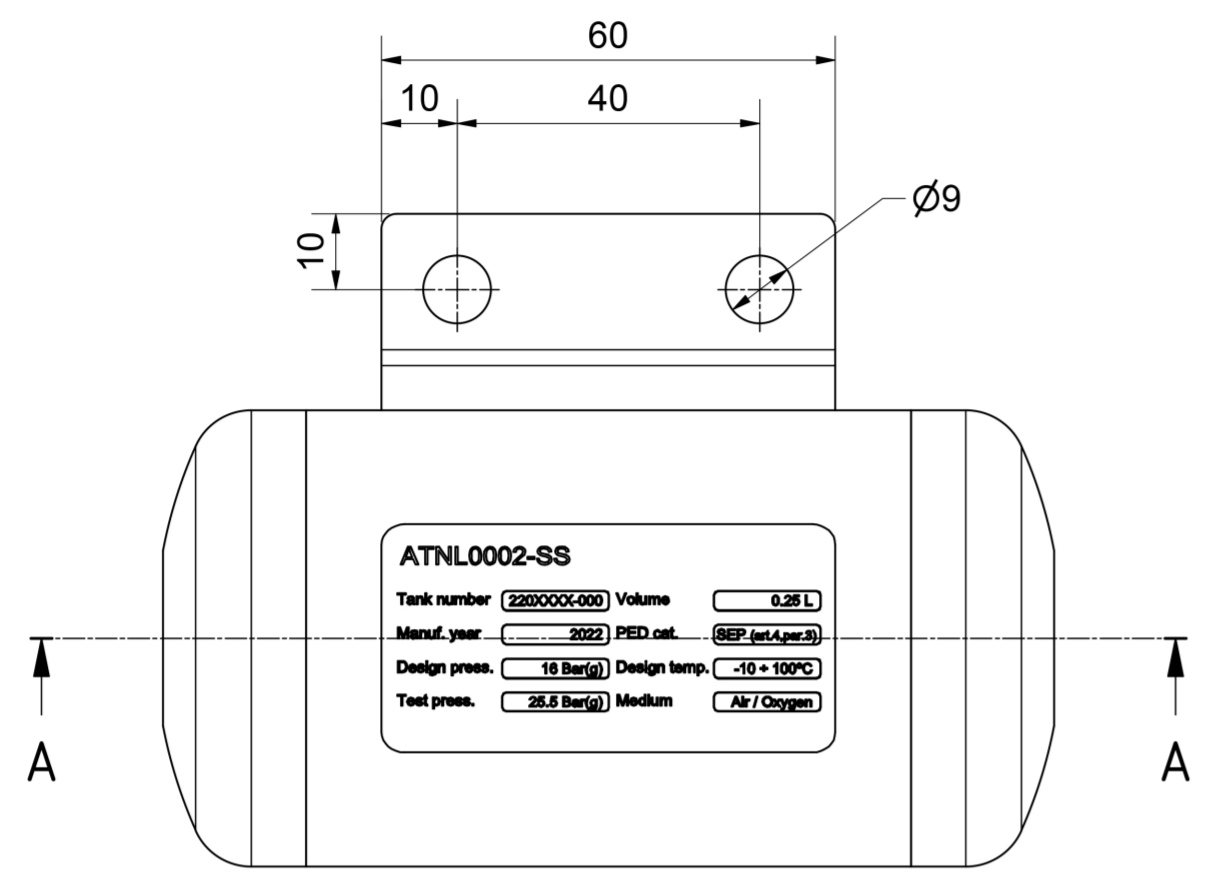
ATNL0002-SS

Tank number **220XXXX-000** Volume **0.25 L**

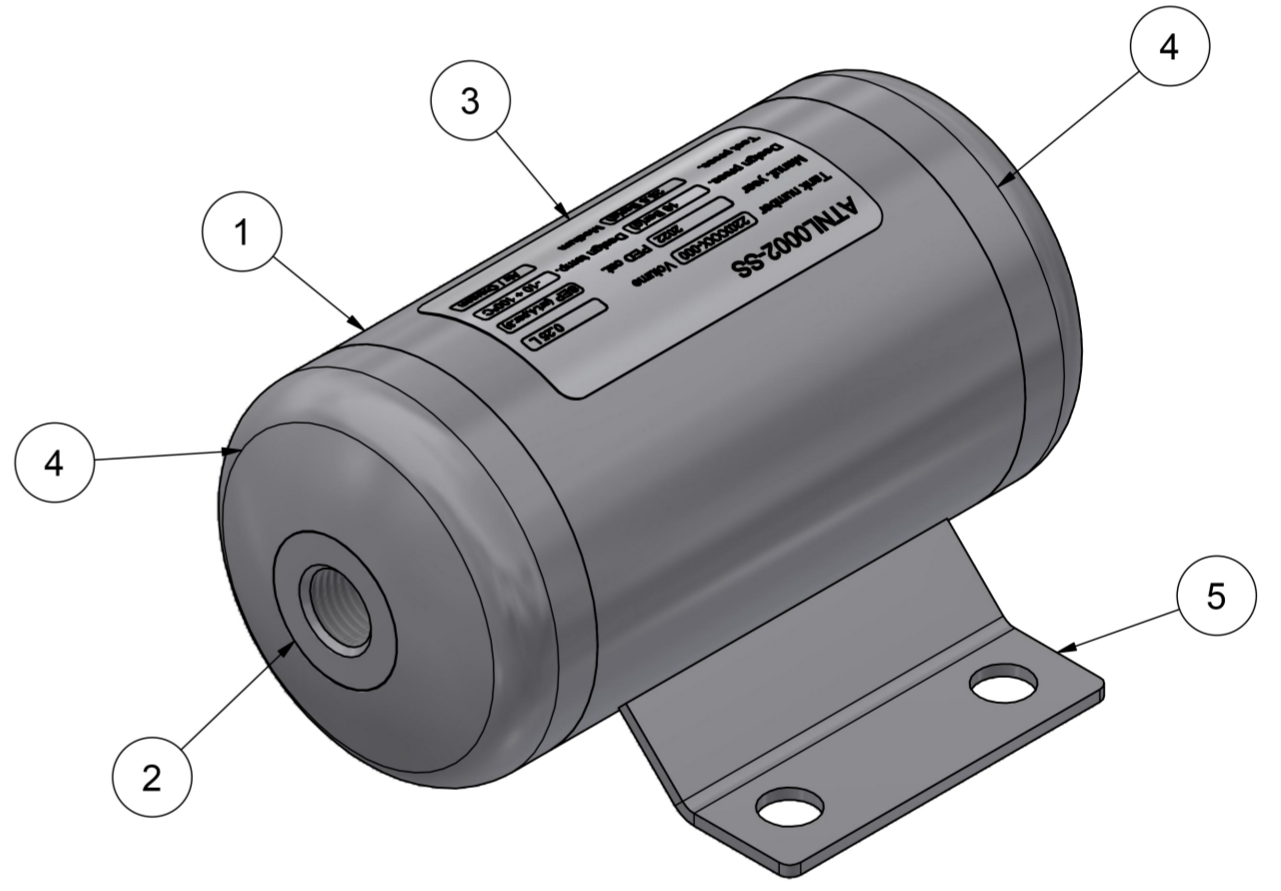
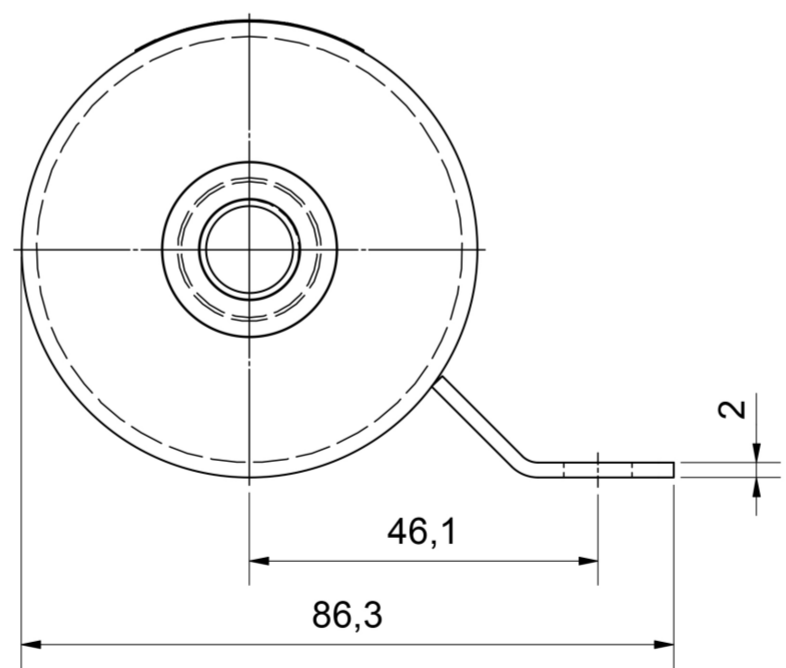
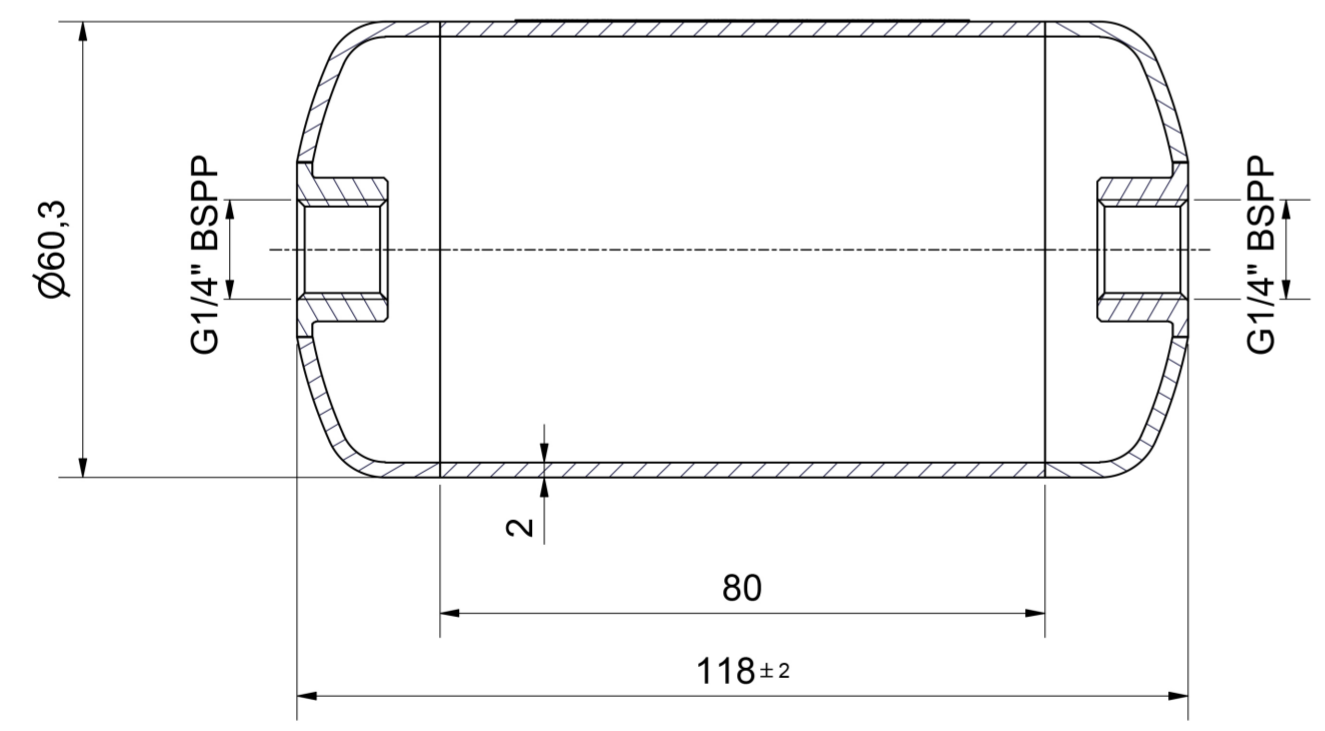
Manuf. year **2022** PED cat. **SEP (art.4,par.3)**

Design press. **16 Bar(g)** Design temp. **-10 + 100°C**

Test press. **25.5 Bar(g)** Medium **Air / Oxygen**



A-A (1:1)



Finish: Outside sandblasted
All materials including 3.1 certificate

Scale: 1:5	Comments	Art.nr.:	
Designer:		Weight: 0,442 kg	
Date: 29-9-2020			
ATNL0002-SS		Roughness according to NEN 3634	
INTER-TECHNICS B.V. De Sleutel 11 5652 AS Eindhoven +31 (0)88 110 9000 info@intertechnics.nl www.intertechnics.nl		Tolerance according to NEN-ISO 406	
		Form and Placement tolerance according to NEN-ISO 1101	
		Size A2	Partnumber -