

Mark	Nozzle	Size	Rating	Type/Facing	Norm
N1	In/Outlet	1/2"	PN16	BSP (f)	ISO228-1G
N2	Spare	1/2"	PN16	BSP (f)	ISO228-1G

ATNL0020-SS

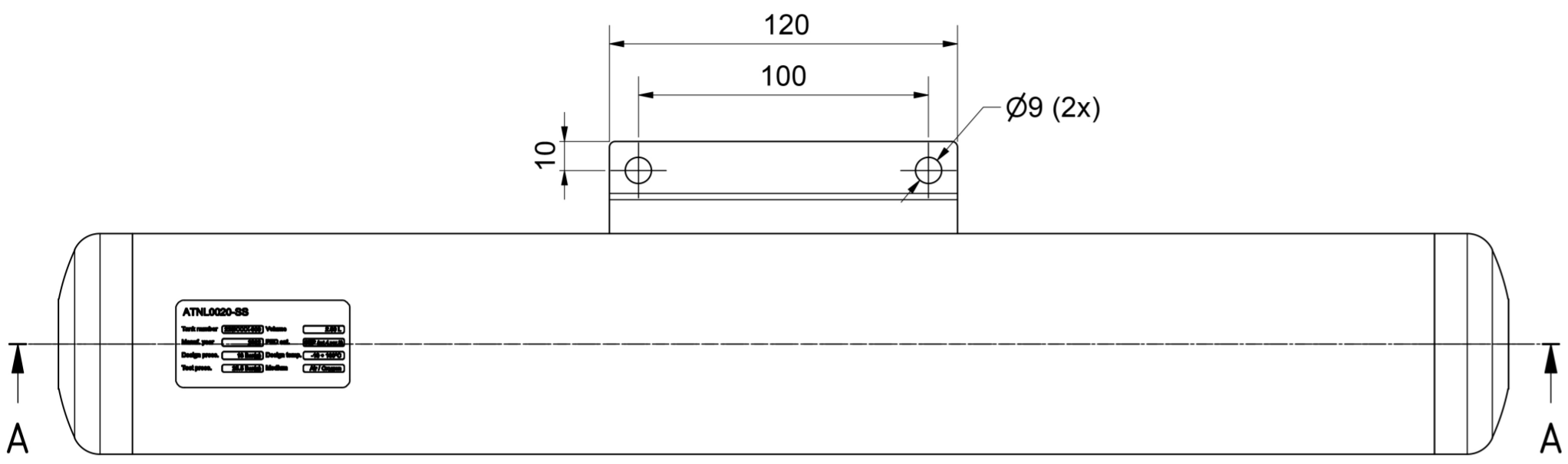
Tank number: 220XXXX-000 Volume: 2.00 L

Manuf. year: 2022 PED cat.: SEP (art.4,par.3)

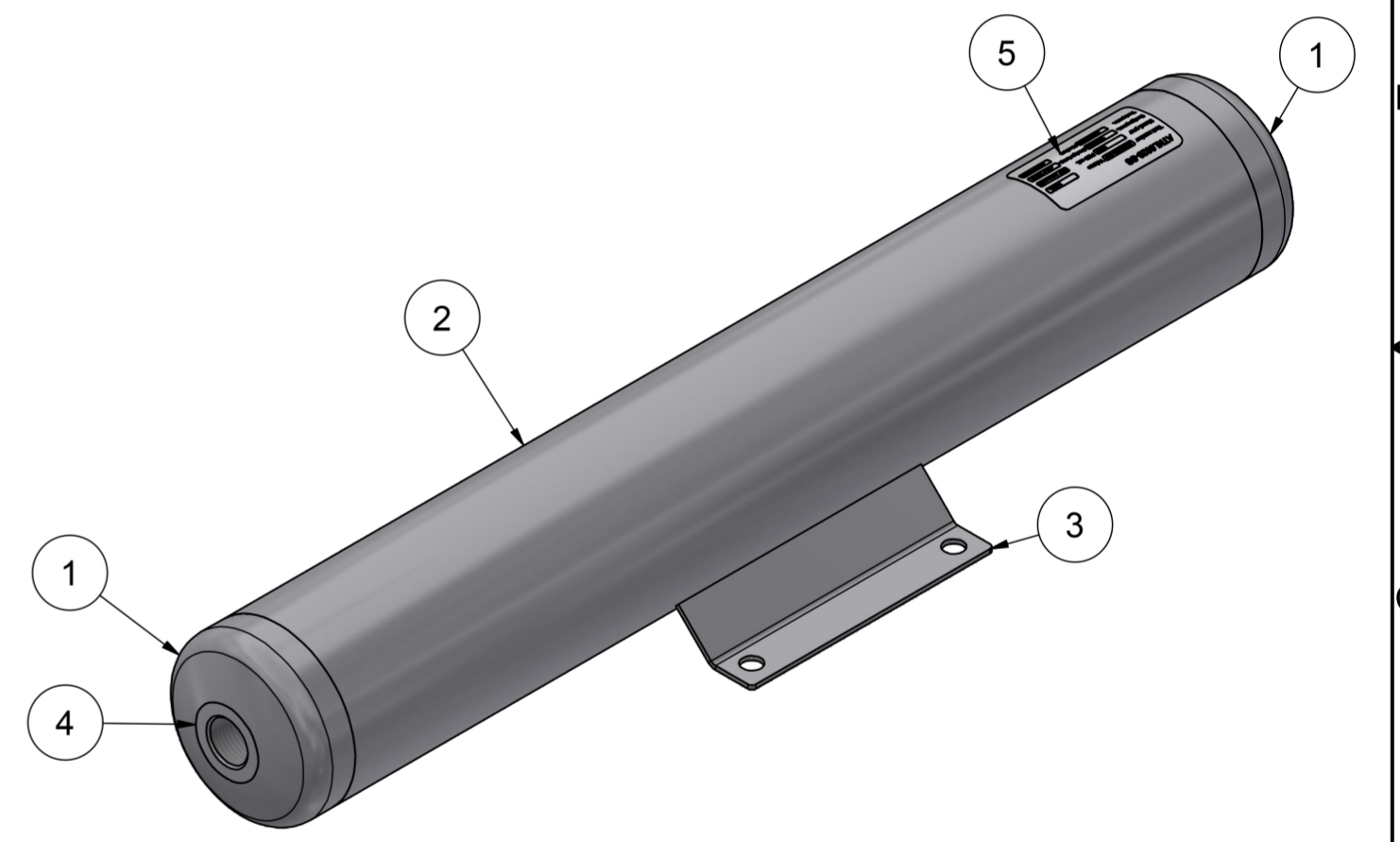
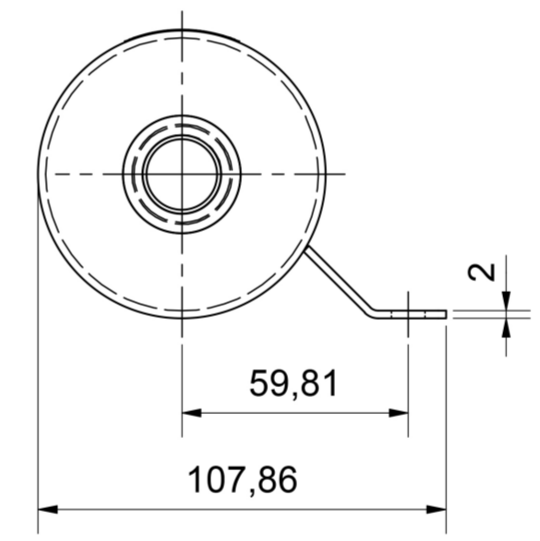
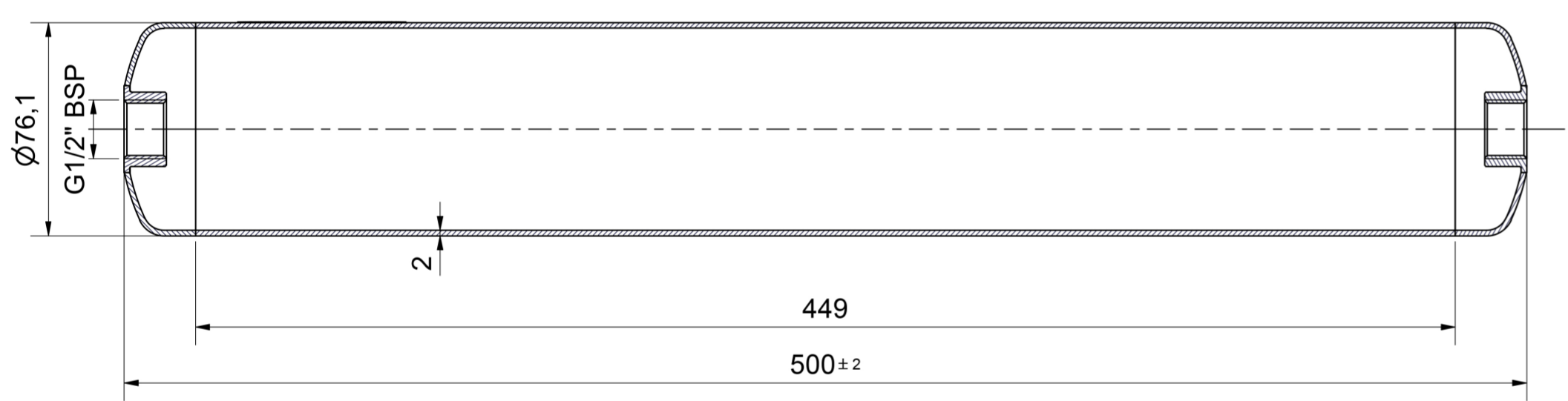
Design press.: 16 Bar(g) Design temp.: -10 + 100°C

Test press.: 25.5 Bar(g) Medium: Air / Oxygen

DESIGN DATA		
Design code		EN13445:2021 (Issue 1:2021)
PED 2014/68/EU		Art. 4, par. 3 (SEP)
PED phase / group		Gas / group II
Testing group		3b
Medium		Air / inert gasses
Density	kg/m3	1.33
Joint efficiency		0.85
Joint examination		RT=5% on circumferential PT=10% on nozzles (first 2 pcs. of every badge)
Cyclic loads		N.A.
Insulation		N.A.
Design pressure	Bar(g)	-1 ÷ 16
Operating pressure	Bar(g)	0 ÷ 15
Hydrostatic test	Bar(g)	25.5
Design temperature	°C	-10 ÷ 100
Operating temperature	°C	0 ÷ 90
Corrosion allowance		0
Capacity	Ltr.	2.00
Weight empty	kg	± 2.0
Weight test full	kg	± 4.0



A-A (1/2)



Finish: Outside sandblasted
All materials including 3.1 certificate

Scale: 1:2	Comments	Art.nr.:	
Designer:		Weight: 2,041 kg	
Date: 28-9-2022			
ATNL0020-SS		Ruwheid volgens NEN 3634	
INTER-TECHNICS B.V. De Sleutel 11 5652 AS Eindhoven +31 (0)88 110 9000 info@intertechnics.nl www.intertechnics.nl		Maattoleranties volgens NEN-ISO 406	
Size: A2		Vorm en plaatstoleranties volgens NEN-ISO 1101	
Partnumber			-